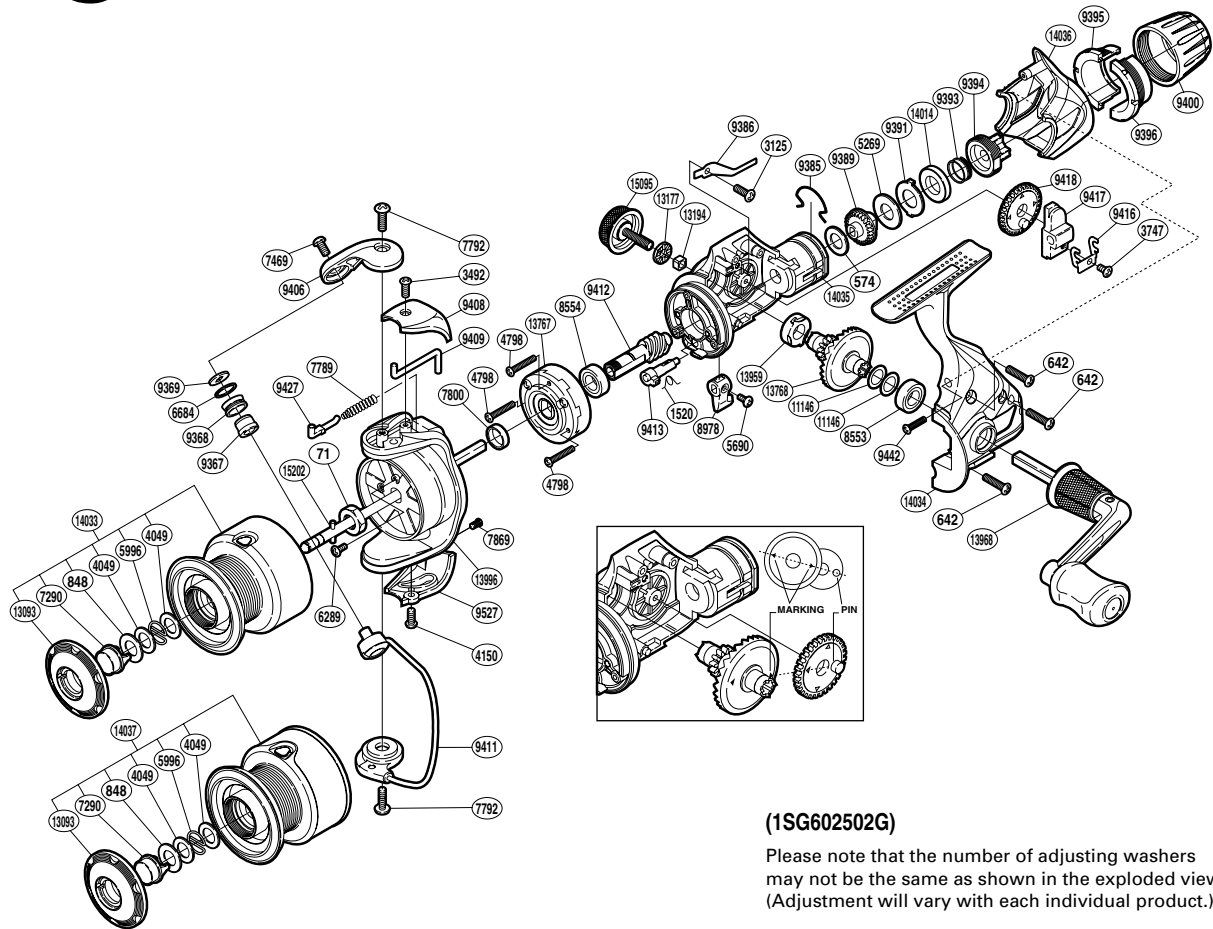


SHIMANO

CATANA

CAT-2500RB



(1SG602502G)

Please note that the number of adjusting washers may not be the same as shown in the exploded views. (Adjustment will vary with each individual product.)

Part No.	Description	Part No.	Description	Part No.	Description
RD 0071	Rotor Nut	RD 8554	Ball Bearing	RD 9427	Bail Spring Guide
RD 0574	Drag Washer	RD 8978	Anti-Reverse Lever	RD 9442	Screw
RD 0642	Screw	RD 9367	Line Roller Bushing	RD 9527	Bail Hold Support Guard
RD 0848	Washer	RD 9368	Line Roller	RD11146	Washer
RD 1520	Anti-Reverse Cam Spring	RD 9369	Line Roller Washer	RD13093	Push Button Collar
RD 3125	Screw	RD 9385	Hold Click Spring	RD13177	Handle Screw Cap Spacer
RD 3492	Screw	RD 9386	Drag Click	RD13194	Handle Screw Lock
RD 3747	Screw	RD 9389	Drag Shaft	RD13767	Roller Clutch Assembly
RD 4049	Washer	RD 9391	Eared Washer	RD13768	Drive Gear
RD 4150	Screw	RD 9393	Drag Coil Spring	RD13959	Drive Gear Bushing
RD 4798	Screw	RD 9394	Pressure Screw	RD13966	Rotor
RD 5269	Drag Washer	RD 9395	Drag Programmer B1	RD13968	Handle Assembly
RD 5690	Screw	RD 9396	Drag Programmer B2	RD14014	Drag Collar
RD 5996	Locking Spring	RD 9400	Drag Programmer A	RD14033	Spool Assembly
RD 6289	Screw	RD 9406	Bail Arm	RD14034	Side Cover
RD 6684	Line Roller Spacer	RD 9408	Bail Spring Cover	RD14035	Body
RD 7290	Push Button	RD 9409	Bail Trip Lever	RD14036	Rear Protector
RD 7469	Screw	RD 9411	Bail Assembly	RD15095	Handle Screw Cap
RD 7789	Bail Spring	RD 9412	Pinion Gear	RD15202	Main Shaft
RD 7792	Screw	RD 9413	Anti-Reverse Cam		
RD 7800	Rotor Ring	RD 9416	Oscillating Slider Retainer		
RD 7869	Screw	RD 9417	Oscillating Slider		
RD 8553	Ball Bearing	RD 9418	Oscillating Gear	RD14037	Spare Spool Assembly